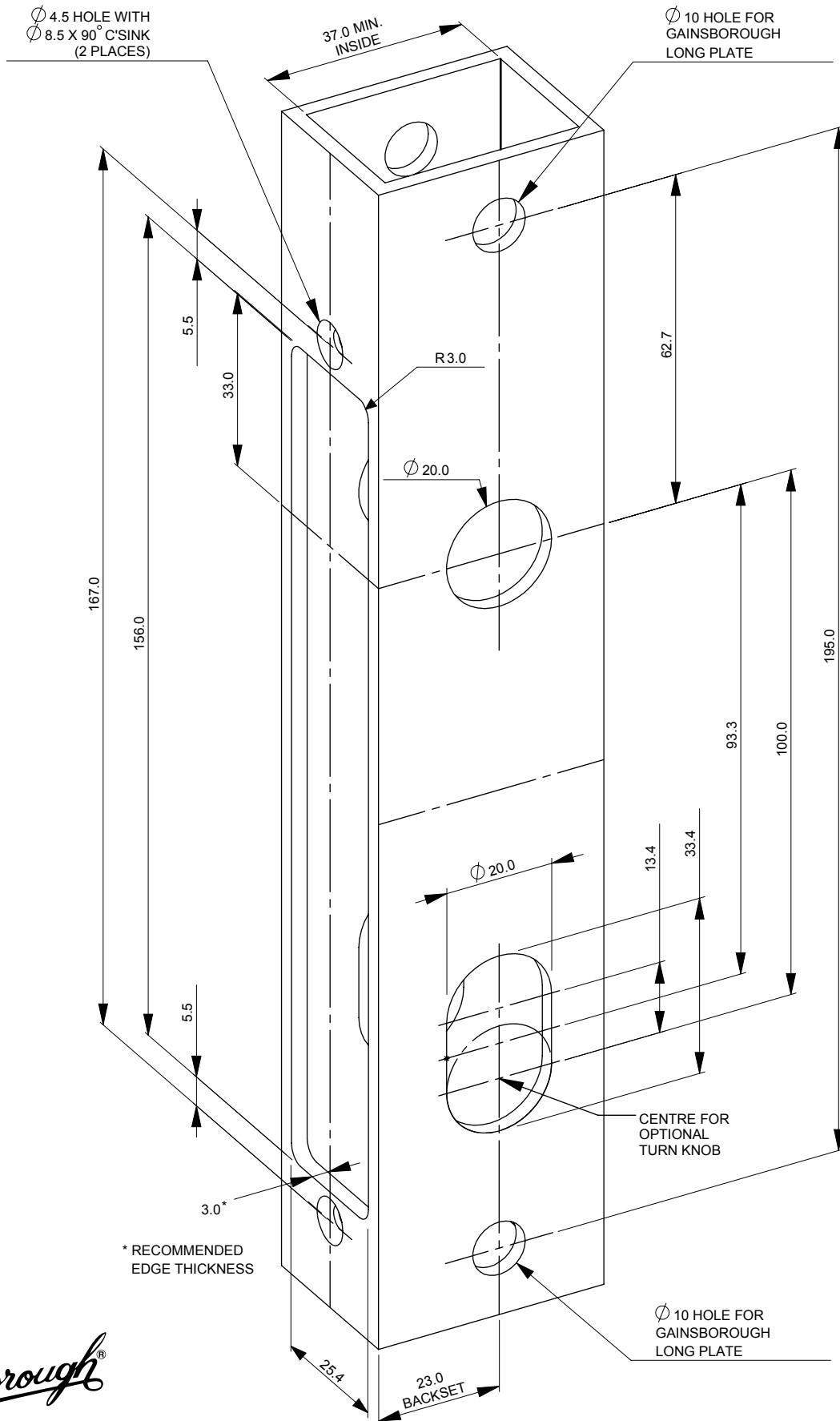


2000 Series Mortise Lock Metal Door Mounting Details

Installation Instructions



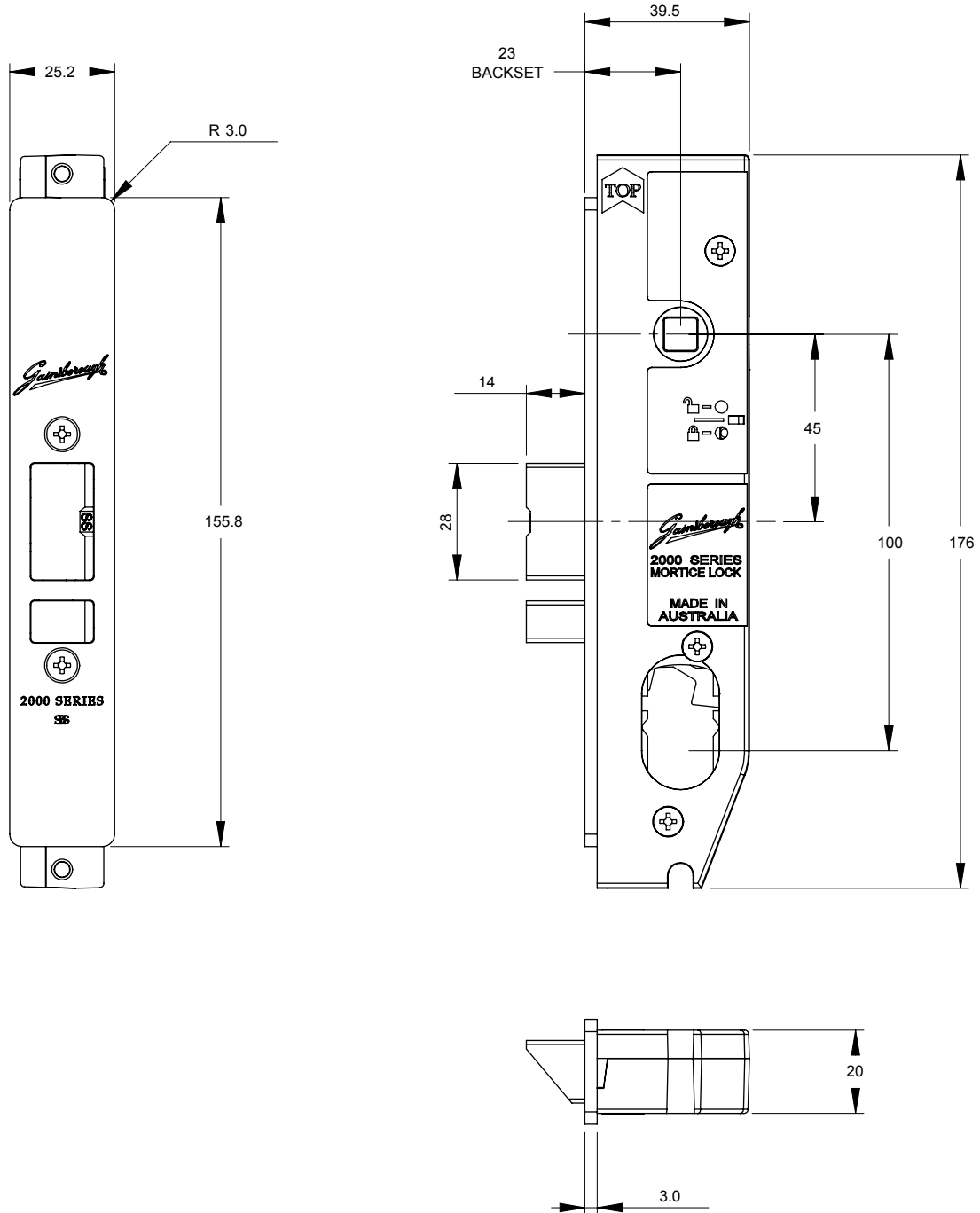
Gainsborough[®]

Gainsborough Hardware Industries Limited,
 Melbourne, Australia. A.B.N. 25 004 792 269
www.gainsboroughhardware.com.au

AT051
 OCT '09

2000 Series Mortice Lock Metal Door Mounting Details Installation Instructions

Limiting Dimensions



Gainsborough Hardware Industries Limited,
Melbourne, Australia. A.B.N. 25 004 792 269
www.gainsboroughhardware.com.au

AT051
OCT '09