

# PULL HANDLES



## PH - SERIES

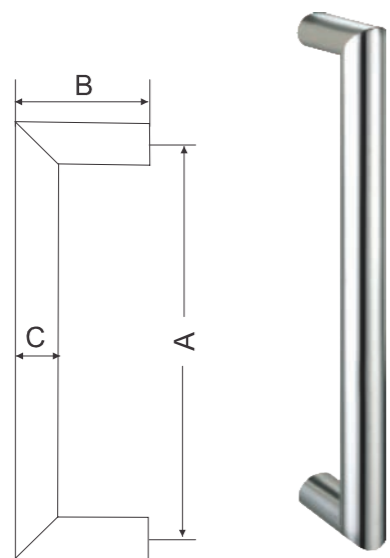
SUS316 stainless steel

Available as back to back or single, face fix sets

Finishes

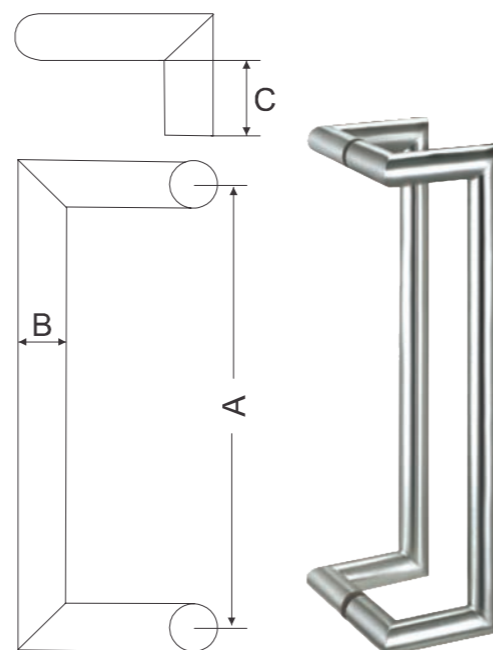
S satin

P polished



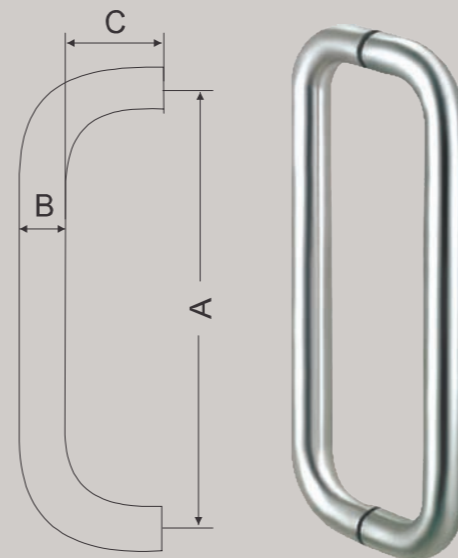
80JL32216002 Glass cutting Ø12

TYPE	A	B	C
1	450	75	Ø32
3	600	75	Ø32



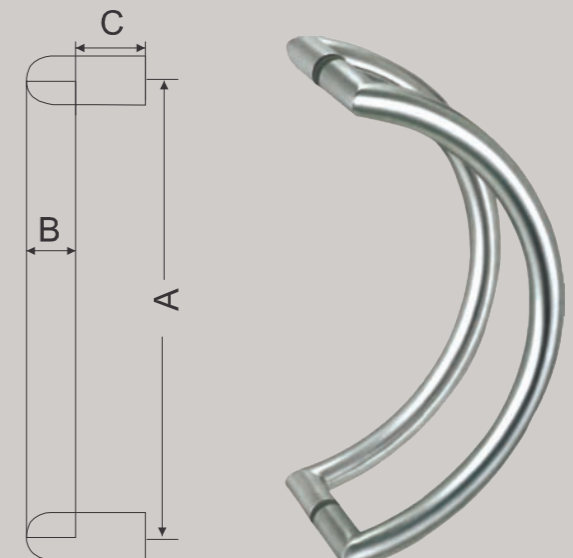
80JL41116002 Glass cutting Ø12

TYPE	A	B	C
1	450	Ø32	53
2	600	Ø32	53
3	900	Ø32	53



80JL21116002 Glass cutting Ø12

TYPE	A	B	C
2	300	Ø32	53
3	600	Ø32	53
	900	Ø32	53



80JL11A16002 Glass cutting Ø12

TYPE	A	B	C
1	300	Ø32	53
2	450	Ø32	53
2	600	Ø32	53